

Cleaning instructions

FERPLAST floor drains and channels are top quality products manufactured using first class AISI 304 or 316 stainless steel to make them corrosion resistant, highly hygienic as well as long lasting and easy to clean. To ensure that the surface of grates and covers retain their original appearance NEVER use scouring sponges or pads nor aggressive chemical cleaners.

Cleaning depends on the type of finishing:

- Stainless steel grates and covers are to be cleaned using a soft cloth, a mild household cleaner and warm water.
- Glass design inserts are to be cleaned using a soft cloth and warm water or a mild colourless glass and window cleaner.
- 18kt gold finishing grates and covers are to be cleaned using a soft cloth and mild soap or alcohol. NO steel scrubbers/pads or harsh chemicals ever!
- For marble finishing the use of a mild floor cleaner is highly recommended. Avoid mechanical abrasive action.

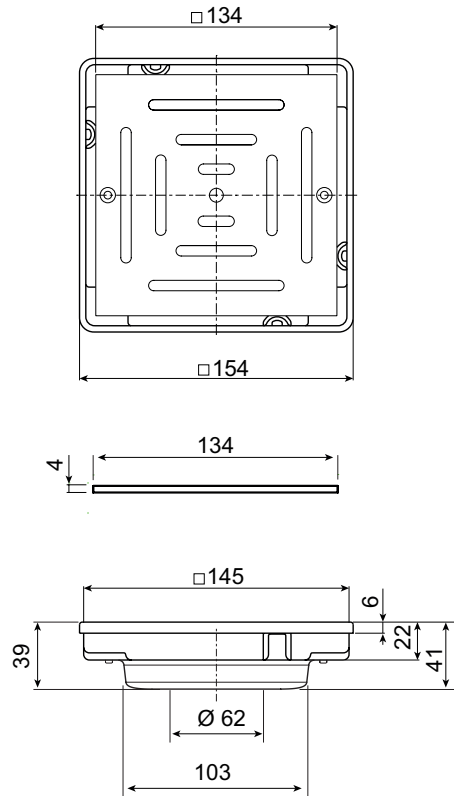
Warranty

All FERPLAST products are made of high-quality stainless steel and carry a 20 years' warranty. Metal (gold, satin, copper, old effect) and marble finishing are guaranteed for 3 years only. The warranty is not valid in case of damage due to improper maintenance.

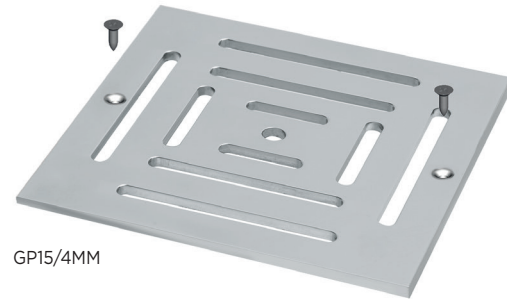
For claims, faults or failures please contact FERPLAST Srl.

TILE HOLDER floor drain
with 4mm stainless steel screwed grate.





5VSAUTO158 (x2)



GP15/4MM



P15/G4

Cleaning instructions

FERPLAST floor drains and channels are top quality products manufactured using first class AISI 304 or 316 stainless steel to make them corrosion resistant, highly hygienic as well as long lasting and easy to clean. To ensure that the surface of grates and covers retain their original appearance NEVER use scouring sponges or pads nor aggressive chemical cleaners.

Cleaning depends on the type of finishing:

- Stainless steel grates and covers are to be cleaned using a soft cloth, a mild household cleaner and warm water.
- Glass design inserts are to be cleaned using a soft cloth and warm water or a mild colourless glass and window cleaner.
- 18kt gold finishing grates and covers are to be cleaned using a soft cloth and mild soap or alcohol. NO steel scrubbers/pads or harsh chemicals ever!
- For marble finishing the use of a mild floor cleaner is highly recommended. Avoid mechanical abrasive action.

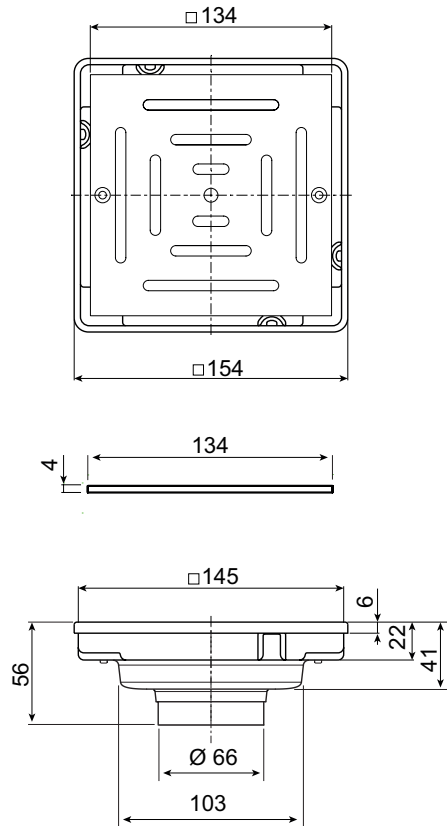
Warranty

All FERPLAST products are made of high-quality stainless steel and carry a 20 years' warranty. Metal (gold, satin, copper, old effect) and marble finishing are guaranteed for 3 years only. The warranty is not valid in case of damage due to improper maintenance.

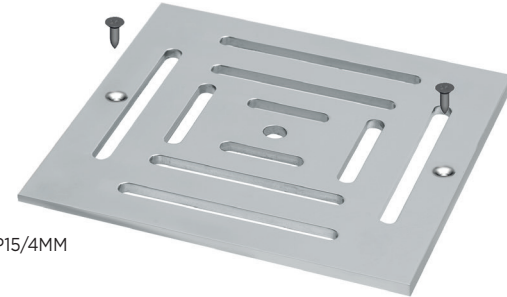
For claims, faults or failures please contact FERPLAST Srl.

TILE HOLDER floor drain
with 4mm stainless steel screwed grate and TOP VALVE.





5VSAUTO158 (x2)



GP15/4MM



50MTVL/34



P15/G4V