

Conservare le istruzioni come riferimento per eventuali manutenzioni future  
Save this instruction sheet for possible future maintenance

4T.../49V



### Istruzioni per la pulizia

Gli articoli FERPLAST sono prodotti di prima qualità realizzati in acciaio inossidabile AISI 304 o AISI 316 che li rende resistenti alla corrosione e all'usura del tempo, altamente igienici, facili da pulire. Al fine di garantire che le superfici mantengano il loro originale aspetto, MAI utilizzare spugne o panni abrasivi né agenti chimici aggressivi per la loro pulizia.

La pulizia dipende dalla finitura:

- Le grate e le cover in acciaio inox si puliscono utilizzando un panno morbido, detergenti neutri e acqua tiepida.
- I vetri d'autore si puliscono con un panno morbido e un prodotto incolore per vetri o acqua tiepida.
- Le grate e cover con finiture oro si puliscono utilizzando un panno morbido e sapone neutro o alcool. MAI utilizzare pagliette o prodotti abrasivi!
- Per le finiture marmorizzate si consiglia l'uso di detergenti neutri per superfici delicate. Evitare interventi meccanici abrasivi.

### Garanzia

Gli articoli FERPLAST in acciaio inox con finitura mirror sono garantiti 20 anni. Le finiture metalliche (oro 18kt, ramato, satinato, anticato) e le finiture marmorizzate hanno garanzia triennale. La garanzia è nulla (non ha validità) in caso di manutenzione non corretta. Per reclami, difetti o guasti si prega di contattare direttamente la ditta FERPLAST srl.

### Cleaning instructions

FERPLAST floor drains and channels are top quality products manufactured using first class AISI 304 or 316 stainless steel to make them corrosion resistant, highly hygienic as well as long lasting and easy to clean. To ensure that the surface of grates and covers retain their original appearance NEVER use scouring sponges or pads nor aggressive chemical cleaners.

Cleaning depends on the type of finishing:

- Stainless steel grates and covers are to be cleaned using a soft cloth, a mild household cleaner and warm water.
- Glass design inserts are to be cleaned using a soft cloth and warm water or a mild colourless glass and window cleaner.
- 18kt gold finishing grates and covers are to be cleaned using a soft cloth and mild soap or alcohol. NO steel scrubbers/pads or harsh chemicals ever!
- For marble finishing the use of a mild floor cleaner is highly recommended. Avoid mechanical abrasive action.

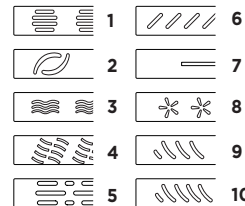
### Warranty

All FERPLAST products are made of high-quality stainless steel and carry a 20 years' warranty. Metal (gold, satin, copper, old effect) and marble finishing are guaranteed for 3 years only. The warranty is not valid in case of damage due to improper maintenance. For claims, faults or failures please contact FERPLAST Srl.

MODULAR LINEARDRAIN IN-TILE  
con coperchio reversibile piastrellabile e TOP VALVE.  
MODULAR LINEARDRAIN IN-TILE  
with reversible tileable cover and TOP VALVE.



4T30/49V



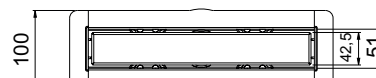
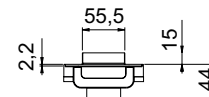
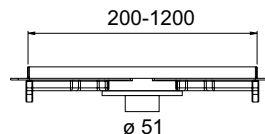
Lunghezze standard da 200 a 1200 mm.  
Standard lengths from 200 to 1200mm.



50M4T20SF: 200 mm  
50M4T30SF: 300 mm



50M4T20: 200 mm  
50M4T30: 300 mm



	cover / grate	base	viti/screws
4T20:	C4T20/C...4T20*	50M4T20	
4T30:	C4T30/C...4T30*	50M4T30	
4T40:	C4T40/C...4T40*	50M4T20 + 50M4T20SF	2x 5CDV4T
4T50:	C4T50/C...4T50*	50M4T30 + 50M4T20SF	2x 5CDV4T
4T60:	C4T60/C...4T60*	50M4T30 + 50M4T30SF	4x 5CDV4T
4T70:	C4T70/C...4T70*	50M4T30 + 2x 50M4T20SF	4x 5CDV4T
4T80:	C4T80/C...4T80*	50M4T20 + 2x 50M4T30SF	4x 5CDV4T
4T90:	C4T90/C...4T90*	50M4T30 + 2x 50M4T30SF	4x 5CDV4T
4T100:	C4T100/C...4T100*	50M4T30 + 50M4T30SF + 2x 50M4T20SF	4x 5CDV4T
4T110:	C4T110/C...4T110*	50M4T30 + 2x 50M4T30SF + 50M4T20SF	4x 5CDV4T
4T120:	C4T120/C...4T120*	50M4T30 + 3x 50M4T30SF	4x 5CDV4T

\* codice griglia /grate code  
es. / ex. CM14T20

Viti a partire da 40 cm  
Screws supplied from 40cm

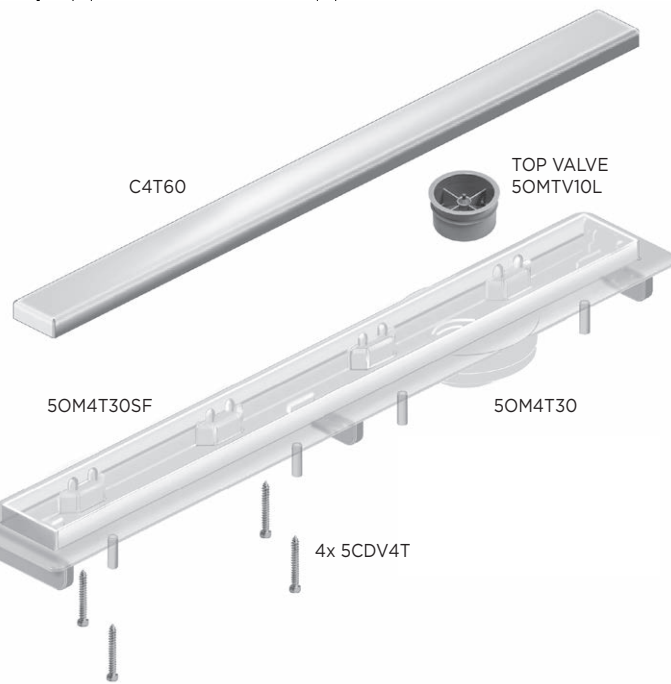


C4T30

TOP VALVE  
50MTVIOL



50M4T30



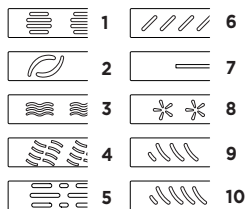
C4T60

TOP VALVE  
50MTVIOL

50M4T30SF

50M4T30

4x 5CDV4T



Conservare le istruzioni come riferimento per eventuali manutenzioni future  
Save this instruction sheet for possible future maintenance

## 4T.../49VB - 4T.../495VB



### Istruzioni per la pulizia

Gli articoli FERPLAST sono prodotti di prima qualità realizzati in acciaio inossidabile AISI 304 o AISI 316 che li rende resistenti alla corrosione e all'usura del tempo, altamente igienici, facili da pulire. Al fine di garantire che le superfici mantengano il loro originale aspetto, MAI utilizzare spugne o panni abrasivi né agenti chimici aggressivi per la loro pulizia.

La pulizia dipende dalla finitura:

- Le grate e le cover in acciaio inox si puliscono utilizzando un panno morbido, detergenti neutri e acqua tiepida.
- I vetri d'autore si puliscono con un panno morbido e un prodotto incolore per vetri o acqua tiepida.
- Le grate e cover con finiture oro si puliscono utilizzando un panno morbido e sapone neutro o alcool. MAI utilizzare pagliette o prodotti abrasivi!
- Per le finiture marmorizzate si consiglia l'uso di detergenti neutri per superfici delicate. Evitare interventi meccanici abrasivi.

### Garanzia

Gli articoli FERPLAST in acciaio inox con finitura mirror sono garantiti 20 anni. Le finiture metalliche (oro 18kt, ramato, satinato, anticato) e le finiture marmorizzate hanno garanzia triennale. La garanzia è nulla (non ha validità) in caso di manutenzione non corretta. Per reclami, difetti o guasti si prega di contattare direttamente la ditta FERPLAST srl.

### Cleaning instructions

FERPLAST floor drains and channels are top quality products manufactured using first class AISI 304 or 316 stainless steel to make them corrosion resistant, highly hygienic as well as long lasting and easy to clean. To ensure that the surface of grates and covers retain their original appearance NEVER use scouring sponges or pads nor aggressive chemical cleaners.

Cleaning depends on the type of finishing:

- Stainless steel grates and covers are to be cleaned using a soft cloth, a mild household cleaner and warm water.
- Glass design inserts are to be cleaned using a soft cloth and warm water or a mild colourless glass and window cleaner.
- 18kt gold finishing grates and covers are to be cleaned using a soft cloth and mild soap or alcohol. NO steel scrubbers/pads or harsh chemicals ever!
- For marble finishing the use of a mild floor cleaner is highly recommended. Avoid mechanical abrasive action.

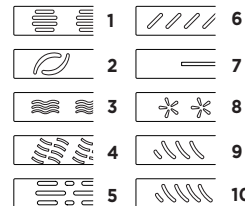
### Warranty

All FERPLAST products are made of high-quality stainless steel and carry a 20 years' warranty. Metal (gold, satin, copper, old effect) and marble finishing are guaranteed for 3 years only. The warranty is not valid in case of damage due to improper maintenance. For claims, faults or failures please contact FERPLAST Srl.

MODULAR LINEARDRAIN IN-TILE  
con coperchio reversibile piastrellabile, TOP VALVE e Base.  
MODULAR LINEARDRAIN IN-TILE  
with reversible tileable cover, TOP VALVE and Base.



4T30/49VB



Lunghezze standard da 200 a 1200 mm.  
Standard lengths from 200 to 1200mm.



50M4T20SF: 200 mm  
50M4T30SF: 300 mm

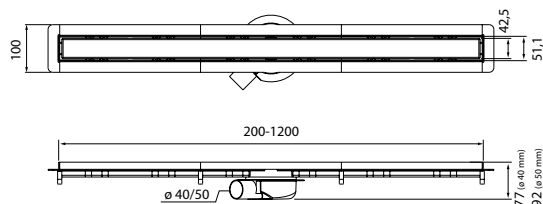


50M4T20: 200 mm  
50M4T30: 300 mm

	cover / grate	base	viti/screws
4T20:	C4T20/C...4T20*	50M4T20	
4T30:	C4T30/C...4T30*	50M4T30	
4T40:	C4T40/C...4T40*	50M4T20 + 50M4T20SF	2x 5CDV4T
4T50:	C4T50/C...4T50*	50M4T30 + 50M4T20SF	2x 5CDV4T
4T60:	C4T60/C...4T60*	50M4T30 + 50M4T30SF	4x 5CDV4T
4T70:	C4T70/C...4T70*	50M4T30 + 2x 50M4T20SF	4x 5CDV4T
4T80:	C4T80/C...4T80*	50M4T20 + 2x 50M4T30SF	4x 5CDV4T
4T90:	C4T90/C...4T90*	50M4T30 + 2x 50M4T30SF	4x 5CDV4T
4T100:	C4T100/C...4T100*	50M4T30 + 50M4T30SF + 2x 50M4T20SF	4x 5CDV4T
4T110:	C4T110/C...4T110*	50M4T30 + 2x 50M4T30SF + 50M4T20SF	4x 5CDV4T
4T120:	C4T120/C...4T120*	50M4T30 + 3x 50M4T30SF	4x 5CDV4T

\* codice griglia /grate code  
es. / ex. **CM14T20**

Viti a partire da 40 cm  
Screws supplied from 40cm



C4T30



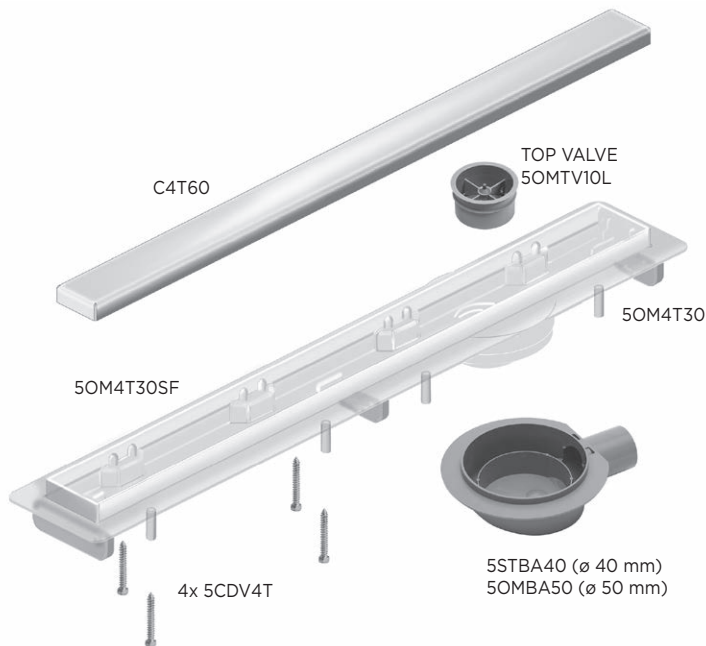
TOP VALVE  
50MTV10L



50M4T30



5STBA40 (ø 40 mm)  
50MBA50 (ø 50 mm)



C4T60

TOP VALVE  
50MTV10L

50M4T30

50M4T30SF

4x 5CDV4T

5STBA40 (ø 40 mm)  
50MBA50 (ø 50 mm)

